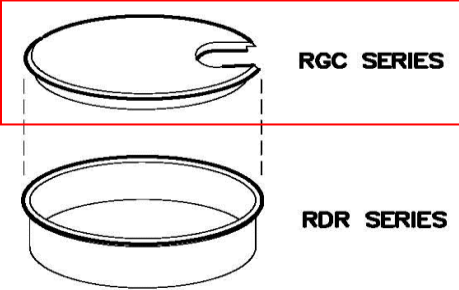


**SPECIFICATIONS FOR FCM
 Chamfered-Edge Desk-Top Grommets & Sleeves**

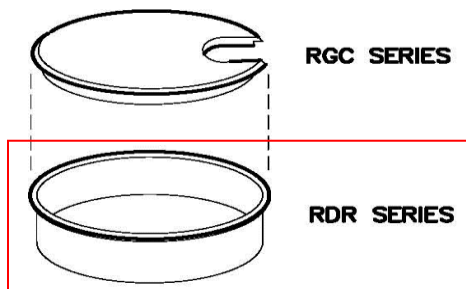
Updated 6/4/21

FCM-RGC SERIES PAIRS WITH FCM-RDR SERIES ***** FCM DECORATIVE RINGS ***** 		MATTE BLACK SATIN CHROME POLISH CHROME	MATTE BLACK SATIN CHROME POLISH CHROME	MATTE BLACK SATIN CHROME POLISH CHROME	SATIN NICKEL MEDIUM ANTIQUE BRONZE POLISH BRASS/SATIN BRASS	SATIN NICKEL MEDIUM ANTIQUE BRONZE POLISH BRASS/SATIN BRASS	SATIN NICKEL MEDIUM ANTIQUE BRONZE POLISH BRASS/SATIN BRASS
ROUND GROMMET CAP	FITS HOLE SIZE	1-49	50-99	100-499	1-49	50-99	100-499
FCM-RGC-800 -2" RD	1-3/4" RD	11.40	11.20	10.45	15.00	14.50	14.00
FCM-RGC-900 -2.5" RD	2-3/16" RD	13.40	13.25	12.80	18.80	18.20	17.80
FCM-RGC-3000-3" RD	2-3/4" RD	16.60	16.10	16.00	21.80	21.30	21.00
<p align="center"><i>THIS GROMMET SITS ABOVE YOUR DESK-TOP SURFACE WITH A SOFT CHAMFERED 1/8" EDGE. MADE TO FIT PERFECTLY WITH OUR RDR-DECORITIVE RING, OR AS A STAND-ALONE GROMMET.</i></p> <p align="center">Our Decorative Grommets and Matching Rings are finished to perfection. Our Grommet Caps are machined out of solid brass, with a beautifully chamfered edge detail that adds a touch of class to any surface, while our Decorative Rings are 6061 aluminum and have a highly finished 1/8" exposed edge detail that matches the finish of the paring grommet.</p> <p align="center">From your tabletops to your conference tables and all your workstations too, this combination will add the finished detail wherever you put it.</p> <p align="center">DECORATIVE RINGS ON FOLLOWING PAGE</p>							

ROUND DECORATIVE RING - MADE TO FIT THE ID OF RGC-GROMMETS OR STAND ALONE AS A DECORATIVE RING.

FCM-RDR SERIES

PAIRS WITH FCM-RGC SERIES



MATTE BLACK
SATIN CHROME
POLISH CHROME

MATTE BLACK
SATIN CHROME
POLISH CHROME

MATTE BLACK
SATIN CHROME
POLISH CHROME

SATIN NICKEL
MEDIUM ANTIQUE BRONZE
POLISH BRASS/SATIN BRASS

SATIN NICKEL
MEDIUM ANTIQUE BRONZE
POLISH BRASS/SATIN BRASS

SATIN NICKEL
MEDIUM ANTIQUE BRONZE
POLISH BRASS/SATIN BRASS

ROUND DECORATIVE RING – MADE TO FIT THE ID OF RGC-GROMMETS OR TO STAND ALONE AS A DECORATIVE RING

3/4" High Overall	<i>FITS HOLE SIZE</i>	1-49	50-99	100-499	1-49	50-99	100-499
FCM-RDR-800 -2" RD	1-7/8" RD	9.95	9.80	9.60	13.25	13.00	12.50
FCM-RDR-900 -2.5" RD	2-3/16" RD	12.50	12.25	12.10	14.50	14.30	14.10
FCM-RDR-3000 -3" RD	2-7/8" RD	13.60	13.10	12.50	15.45	15.10	14.50

Our Decorative Grommets and Matching Rings are finished to perfection.

Our Grommet are solid brass and plated to perfection with a beautifully chamfered edge detail that adds a touch of class to any surface, while our Decorative Rings are the highest quality aluminum with a finished 1/8" exposed edge detail that matches the finish of the paring grommet.

From your tabletops to your conference tables and all your work stations too, this combination will add the finished detail wherever you put it.

Top of the line in quality, while still being competitively priced to fit any budget.

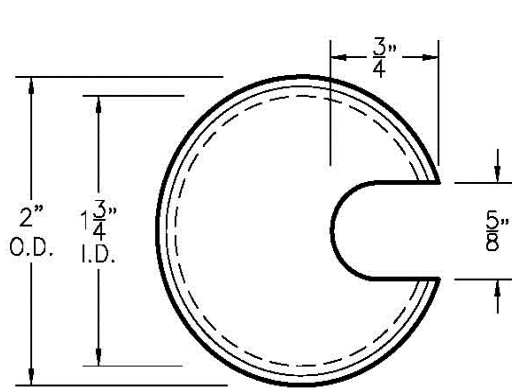


SPECIAL NOTE ABOUT CUTTING/DRILLING HOLES

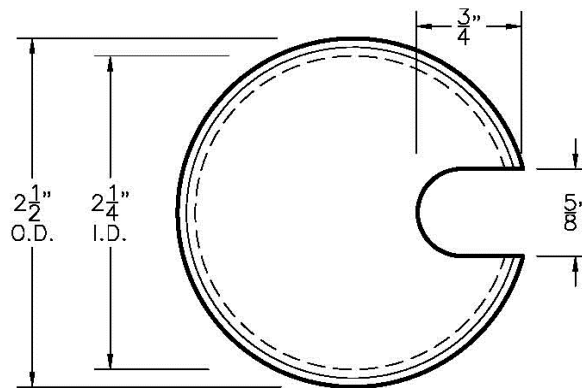
Typical hole diameter for RDR-Rings is below.

Tolerance on RDR-Ring diameter is $+ .10 - .10$

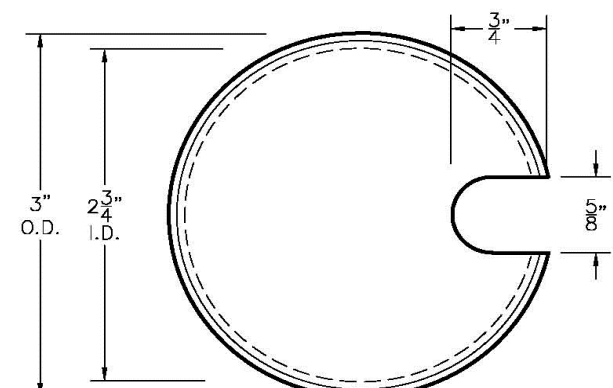
Polishing. Powder Coating. Plating. All cause slight variations in metal thickness.
Keeping that in mind, FCM always advises cutting holes with actual product in hand.



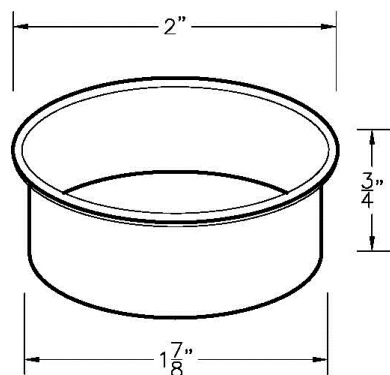
FCM-RGC-800



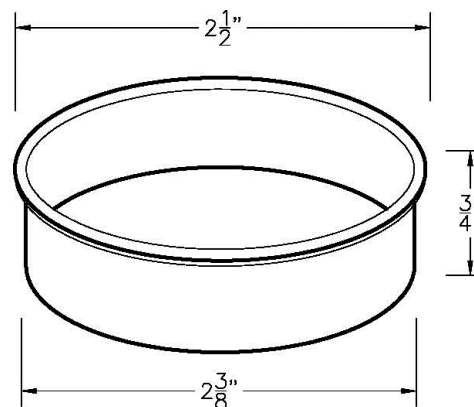
FCM-RGC-900



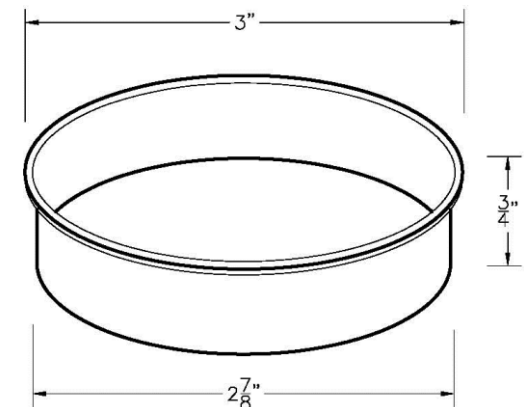
FCM-RGC-3000



FCM-RDR-800



FCM-RDR-900



FCM-RDR-3000